

# HOBO® Pendant

(UA-001-XX)

HOBO.

- HOBO Pendant



HOBO Pendant  
10-  
6 500 ( 8K) 52,000 ( 64K)

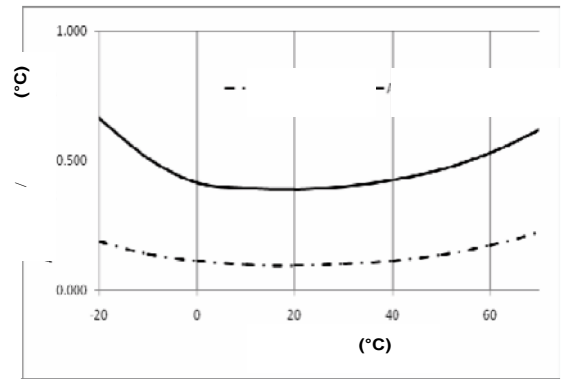
Doc # 9531-F, MAN-UA-001  
Onset Computer Corporation

USB

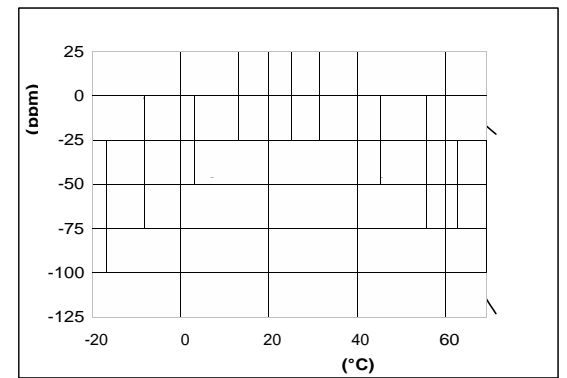
HOBOWare®

www.onsetcomp.com.

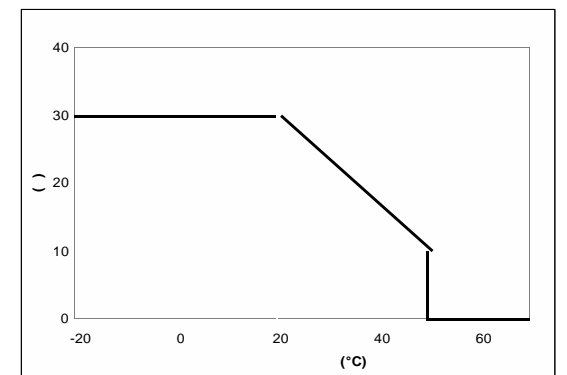
	-20° 70°C
	« » « »
	-20° and 70°C
	± 0.47°C 25°C . A
	: 0.10°C 25°C . A
	0.1°C/
:	2 / : 10 , 90 % : 5 , 90 %
	± 1 25°C, . B
	/ : -20° 50°C : -20° 70°C
	30 -20° 20°C . C
NIST	; -20° 70°C
:	1 ( )
	UA-001-08: 8 ( 6500 ) UA-001-64: 64 ( 52000 )
	; ;
	15.0
CE	58 x 33 x 23
	CE ,



A



B



C

HOBO Pendant

USB (BASE-U-1); Pendant Optic USB Base Station HOBOWare 2.1

U-4) DTW-1); USB (COUPLER2-A); Optic USB Base Station (BASE-HOBO (U-HOBOWare 2.2

50°C

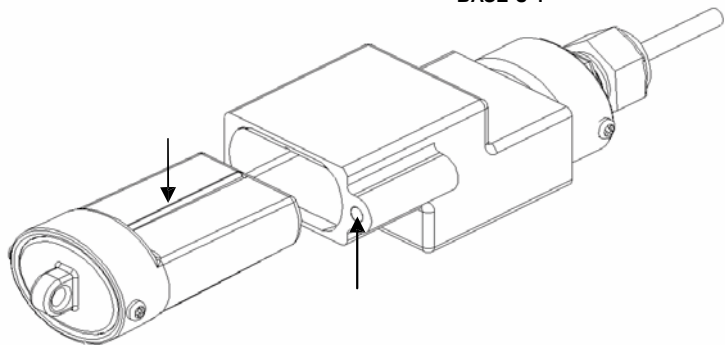
0°C

USB

USB

BASE-U-1,

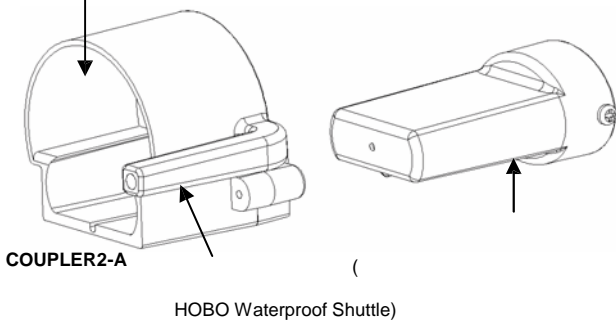
BASE-U-1



BASE-U-4

HOBO, D-

BASE-U-4 HOBO Waterproof Shuttle



3.

HOBO,

4.

5.

1. Trigger Start.

2.

3.

4.

	<p>– « »</p> <p>– « »</p>
	<p>– « »</p> <p>– « »</p>

20°C,

30

CR-2032.

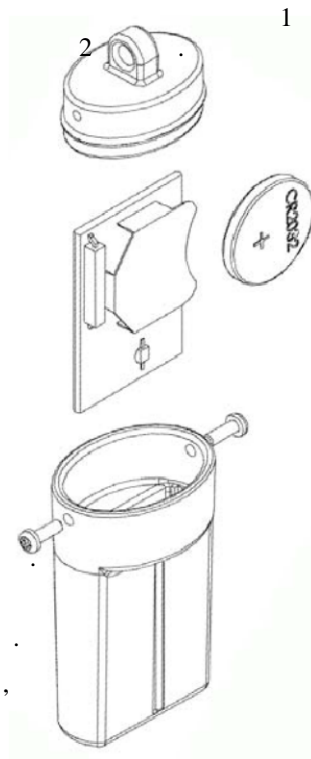
( « »).

30°C	
30° 40°C	
40°C	

!

<http://www.onsetcomp.com/support/support.html>.

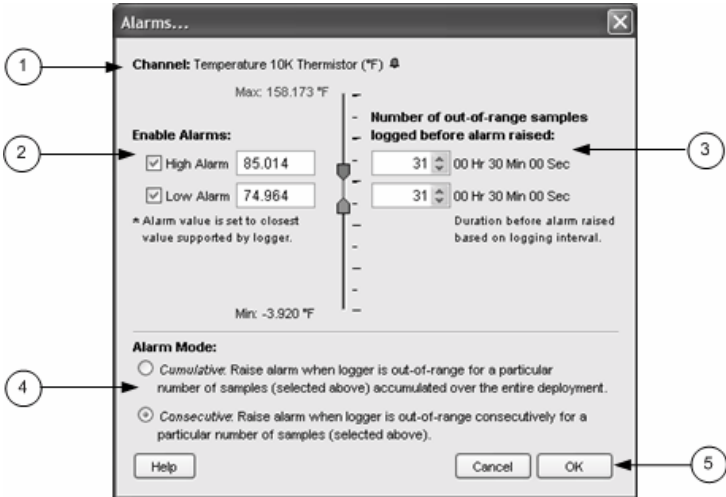
- 1.
- 2.
- 3.
- 4.
- 5.
- 6.
- 7.
- 8.



**!** ! 85°C.

Alarms ( ) Launch ( )  
HOBOWare.

**Alarms**



1. Channel

2. Enable Alarms

High Alarm ( ) / Low Alarm ( ).

3. Samples

4. Alarm Mode

Cumulative –

Consecutive –

5. OK,

-----  
#: 6,826,664  
Onset, HOBO HOBOWare –  
Onset Computer Corporation.